



MINIRIS II

*Infrared barrier
for facade protection*

> PRINCIPLE

PERFORMANCE AND DISCRETION

MINIRIS II infrared barriers consist of a transmitter column and a receiver column that form an invisible wall that is virtually unbreachable without triggering an alarm (up to six double parallel beams).

False alarms due to birds or small animals are avoided by adjusting the breach time.

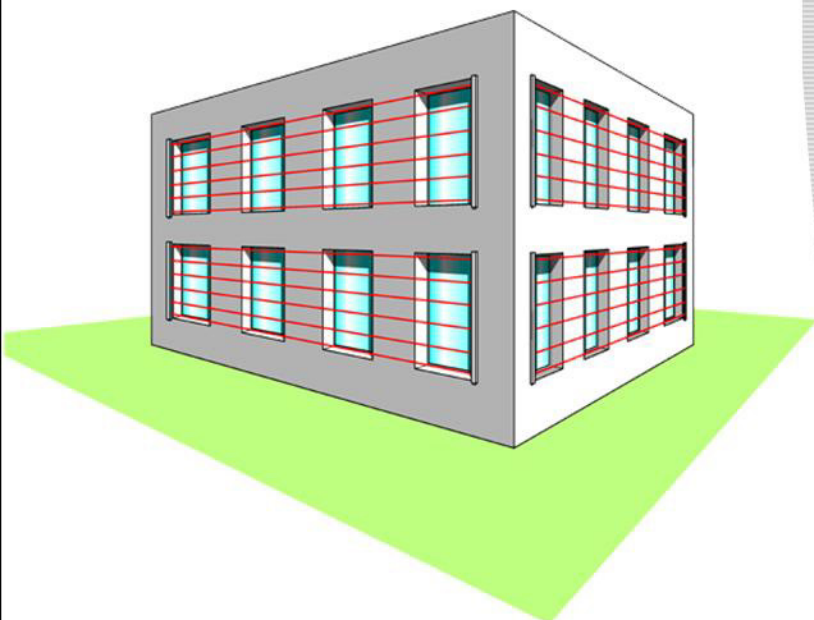
Thanks to its streamlined aluminum design and small overall dimensions, it is easily integrated into the location decor.

> APPLICATIONS

YOUR WINDOWS UNDER SURVEILLANCE

The MINIRIS II active infrared barriers are specially designed for detection against intrusion of building exteriors, terraces, balconies, etc.

They provide surveillance for a group of windows or accessible exterior exits and are easily adapted to a



ADVANTAGES

✓ RANGE

40 m outdoor, 60 m indoor

✓ DEPENDABILITY

4 selectable channels to distinguish one barrier from another.

Integrated fog detector

Integrated heating.

✓ AESTHETICS

Design that blends discretely with building decor.

Optional custom painting.

✓ EASY INSTALLATION

Optical synchronization. Integrated alignment tools for one person installation.

✓ EFFICIENT DETECTION

Independent parallel beams. Alarms can be configured for breach of one or two beams. Auto-surveillance.

MINIRIS II

> TECHNICAL FEATURES

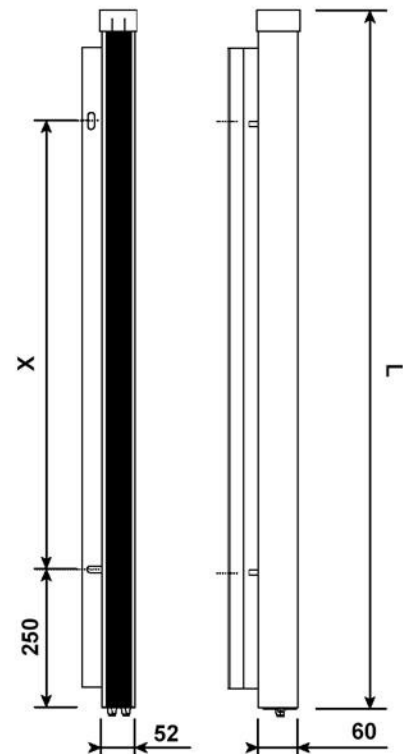
Range	40m exterior, 60m interior
Column heights	1m, 1.5m or 2m
Light source and number of cells	From 2 to 6 double beam cells, wavelength 950nm, adjustable vertically +/-10°
Operating modes of beams	Parallel and independent beams. Coded beams on 4 channels allow ganging of 4 barriers in line.
Detection mode	Timed single beam detection between 50ms to 5f, or double beam detection filtered at 50ms
Alarm information	1 changeover intrusion switch, 1 auto-surveillance switch NC
Alignment	Alignment indicator lights and buzzer
Power Supply	12Vdc +15% -10%, 70 to 95mA for electronics, 12Vac/dc, 1Wper cell for heating
Operating temperature	-25°C to +55°C (with heating)
Protection Index	IP431
Housing	Extruded aluminium, ivory white paint, plastic cap
Weight	5kg maximum for a 2m high column

> REFERENCE

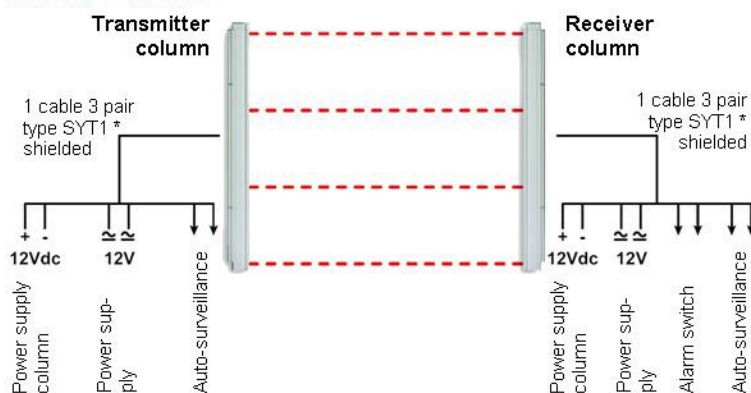
Column Height	Number of cells double beams	MINIRIS II model numbers
1m	2	30 4400 02
	4	30 4402 02
	6	30 4404 02
1.5m	2	30 4405 02
	4	30 4407 02
	6	30 4409 02
2m	2	30 4410 02
	4	30 4412 02
	6	30 4414 02

Dimensions Exteriors (mm)

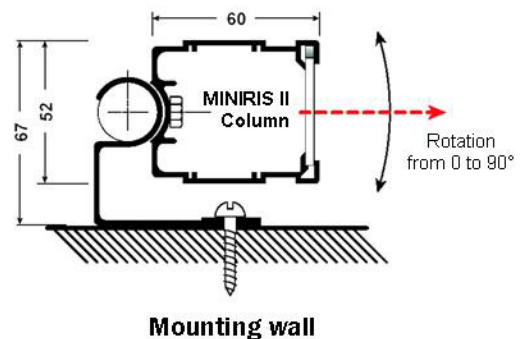
L (mm)	X (mm)
1000	500
1500	1000
2000	1500



> CABLING



* Warning about voltage drops in the power supply lines: do not exceed 90 m for paired-wires of 6/10 mm. For longer distances, refer to the technical documentation.



1, rue du Dauphiné – F – 69120 VAULX-EN-VELIN
Tél. : +33(0)4 78 03 06 10 – Fax. : +33(0)4 78 68 24 61
Mail : commercial@sorhea.fr – Web : www.sorhea.fr

DEALER'S STAMP:

SORHEA provides detailed product information sheets for its customers.

In a continuing effort to improve the quality and performance of its products, SORHEA reserves the right to change feature of its products without prior notice.