

# Sight Glass Fittings, circular PN 6

to be **welded** directly to tank

# NORIS

Bauform 119

## Application:

For observation and lightning the inside of closed containers ( boilers, tanks, silos a.s.o )

## Operating conditions:

Working pressure: 6 bar  
Working temperature: 150°C or 280°C

## Options:

Sight glass wiper Bauform 190 + 195  
Spray washer Bauform 198  
Safety double windows Bauform 126  
Sight glass light fittings  
With O-ring-sealing (for vacuum)  
Special design acc. to customer

## Materials:

Base flange	RSt 37-2, H II, WN 1.4541, WN 1.4571
Cover flange	RSt 37-2, H II, WN 1.4541, WN 1.4571
Screws	5. 6 galv., A2-70, A4-70
Glass	Borosilicate glass acc. to DIN 7080 Soda lime glass acc. to DIN 8902
Gasket	asbestos free (or other materials )

## Certificate: ( Option )

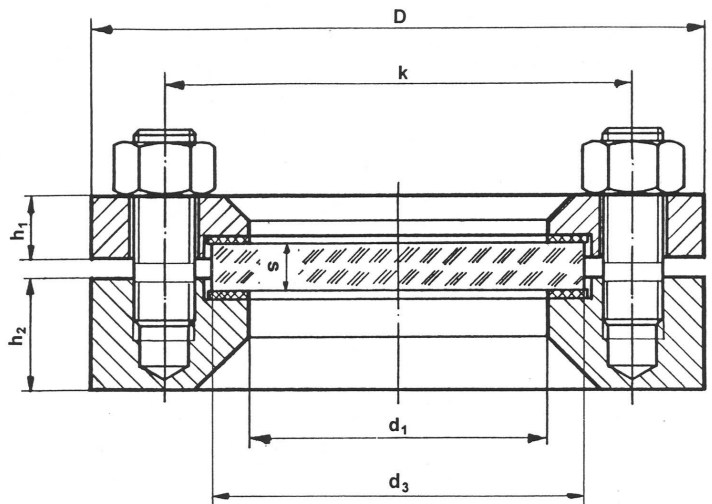
Acc. to EN 10204-2.2 or  
Acc. to EN 10204-3.1

## Delivery includes:

Complete fitting, consisting of base and cover flange, glass plate, sealings and screws

Following DIN 28120

For low pressure  
up to 6 bar



## Dimensions:

DN	d <sub>1</sub>	d <sub>3</sub>	s	D	k	h <sub>1</sub>	h <sub>2</sub>	Screws
50	80	100	15	165	125	16	30	4 x M 16
80	100	125	15	200	160	18	30	8 x M 16
100	125	150	15	220	180	18	30	8 x M 16
125	150	175	20	250	210	18	30	8 x M 16
150	175	200	20	285	240	18	36	8 x M 20
200	225	250	25	340	295	20	36	8 x M 20

Modification reserved

# NORIS ARMATUREN Burkenstein GmbH & Co. KG

Puscherstrasse 3  
D-90411 Nürnberg

Telefon: +49 (0) 911 / 52 150 63  
Telefax: +49 (0) 911 / 52 24 40

Internet: [Noris-Armaturen.de](http://Noris-Armaturen.de)  
E-Mail: [Noris@Noris-Armaturen.de](mailto:Noris@Noris-Armaturen.de)