

Power supply ZL-24-08

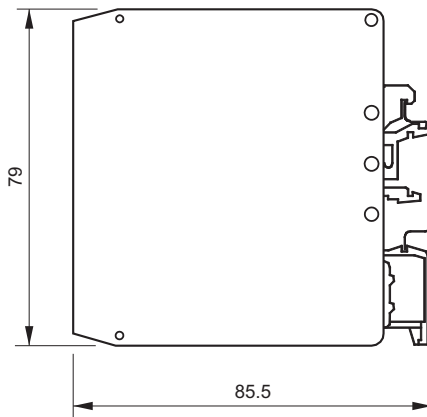


- ✓ Maximum output current 800 mA
- ✓ High energy efficiency
- ✓ Indication of the presence of output voltage
- ✓ Permanently resistant to short circuiting and excess voltage
- ✓ Overvoltage protection
- ✓ Casing can be fitted on a standard rail (TS35, TS32)

Applications and functions

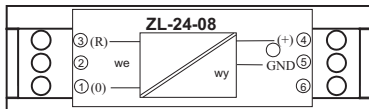
The ZL-24-08 power supply is typically used with a 220 V, 50 Hz AC network supply to power devices requiring direct current (output voltage in the range $5 \div 48$ V, standard value 24 V).

The ZL-24-08 is typically used to power automatic devices requiring a 24 V DC power supply.

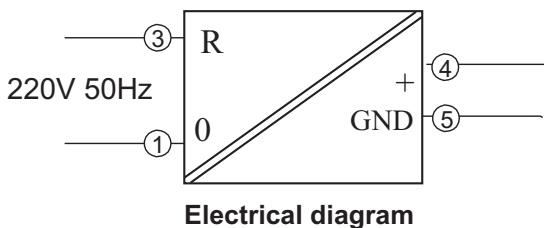


Technical parameters

Input voltage	220 V, 50 Hz (+15%, -20%)
Input current	≤ 100 mA
Output voltage	24 ± 1.2 V DC (special versions: 5 ÷ 48 V)
Maximum load current	0.8 A
Constant load current	0.1...0.5 A
Output power	≤ 20 W
Galvanic separation	pulse transformer
Strength test parameters	1.5 kV AC, 50 Hz, 1 min
Effect of load fluctuations	≤ 5% / 350 mA
Effect of supply voltage fluctuations	≤ 2%
Ambient temperature	5...60°C
Casing	UEGM 25 (PHOENIX)
Ingress protection rating	IP 20
Weight	0.25 kg



View of front plate



Electrical diagram

NOTE: when installing, always ensure a sufficient gap between the power supply and other devices to enable heat to escape. The minimum distance from the side walls of the power supply is 15 mm.

Ordering procedure

Standard version: **ZL-24-08**

Special version: **ZL-....-08**

Output voltage (value from 5 to 48 V)